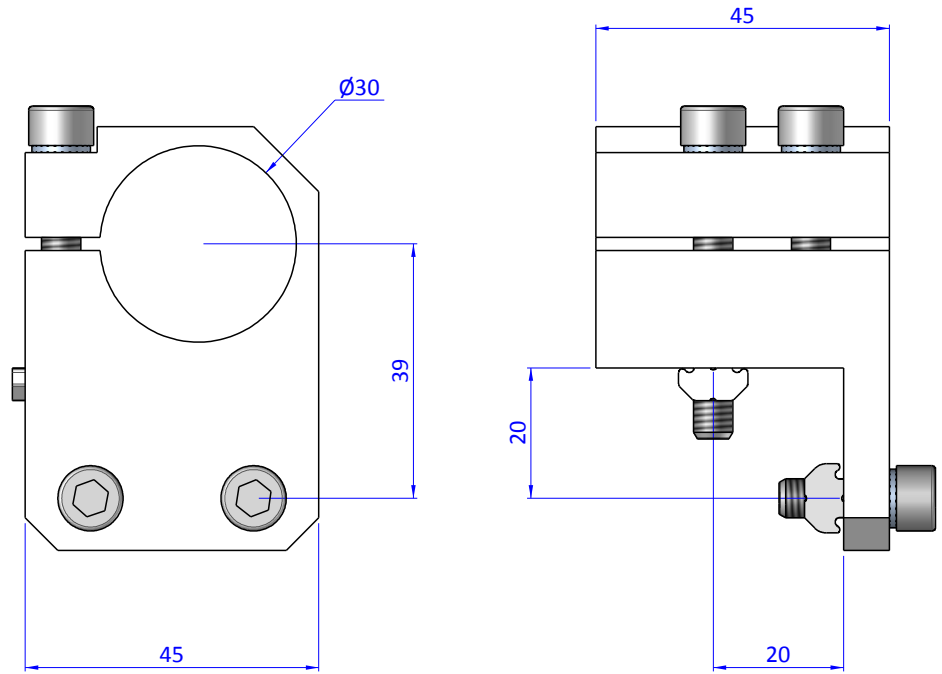
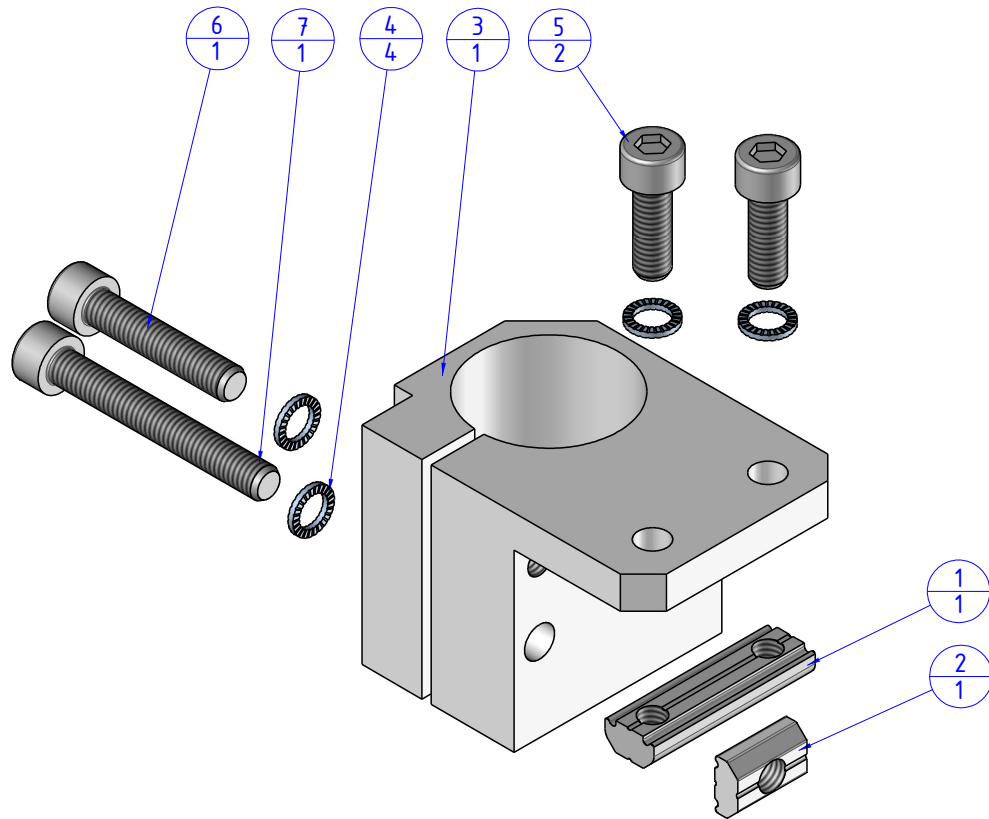


THE PROPERTY OF THE DRAWING IS ESTABLISHED BY LAW. IT IS FORBIDDEN TO PRODUCE OR SHOW IT TO THIRD PARTY, WITHOUT A WRITTEN AGREEMENT.

Item	Name	Q. ty
1	CA.GWP.6.25	1
2	CA.GWP.6U	1
3	KSW.30.JU	1
4	R.6.SCH	4
5	V.TCE6x18	2
6	V.TCE6x30	1
7	V.TCE6x45	1



Format A3

UNI 936-76

		DESIGNED FROM		REVIEW
		FPSERVICES		A
GENERAL TOLERANCE		DATE	WEIGHT	
UNI - ISO 2768		30/04/2016	0,148kg	
CLASSE f		CODE		
		CA.KSW.30.JU		CA.KSW.30.JU